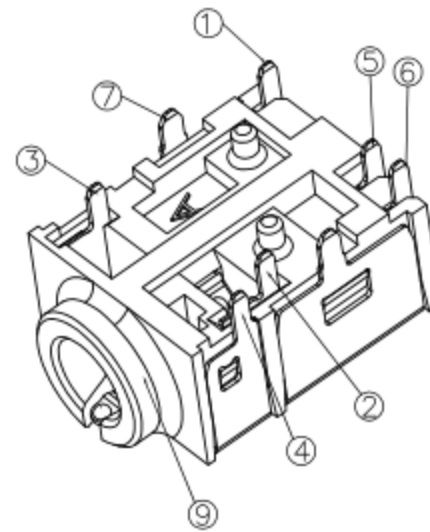
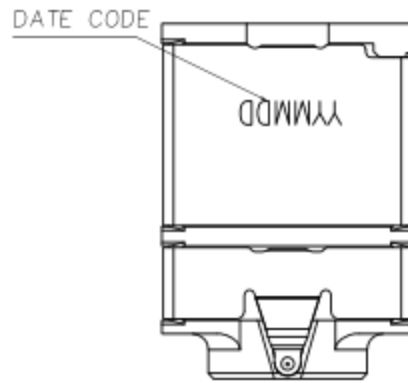
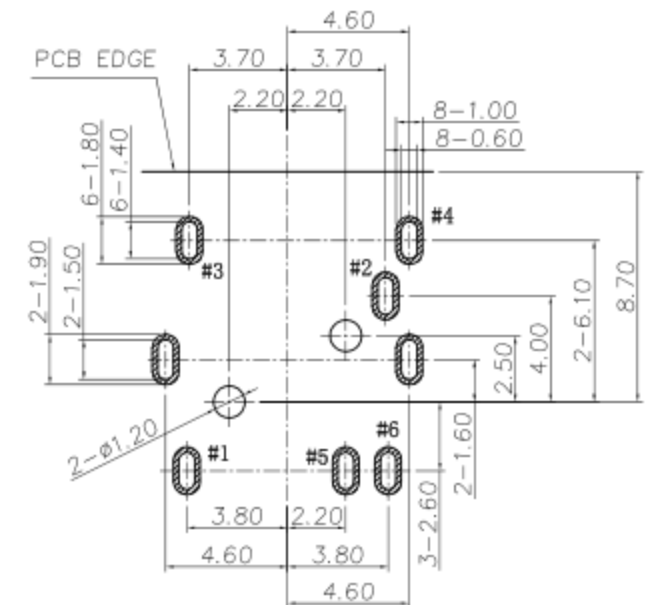
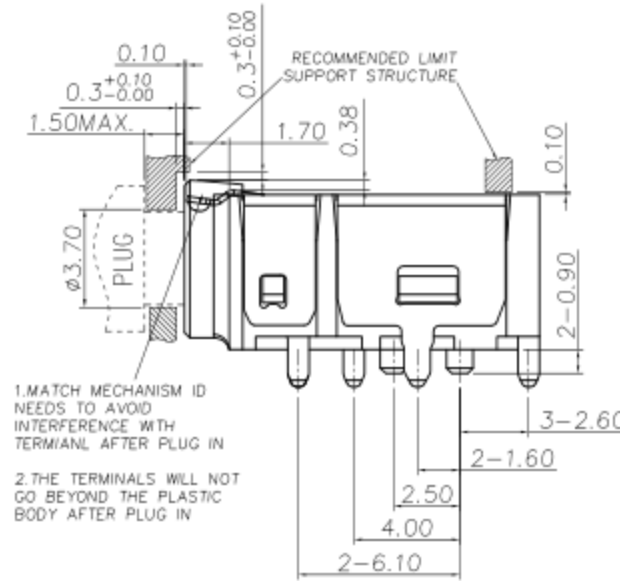
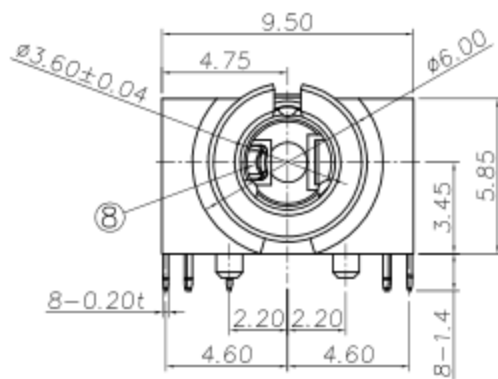
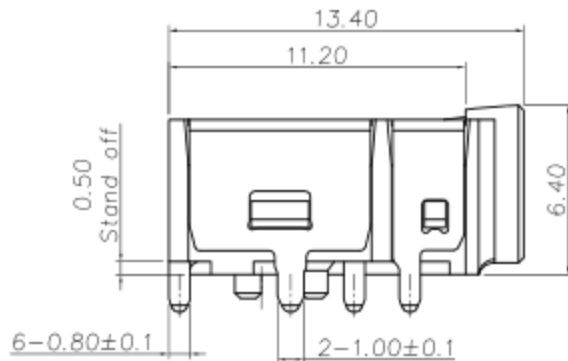
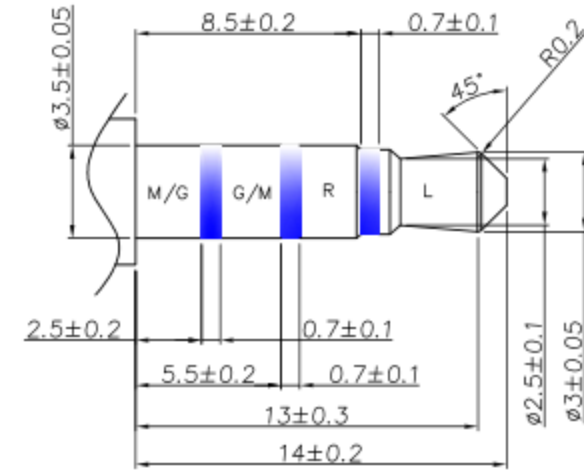


MODEL NO. :
PJR-D3341A-ABK7AU0*L-RH
 (1) (2)(3) (4)(5)(6)

- (1) Series no.
- (2) Schematic type: A
- (3) Housing color:
BK7=Black
- (4) Terminal plating:
AU02=Plating Gold Flash.
AU03=Plating Au 3u".
- (5) Packing mode:L=Reel packing
- (6) Environmental requirements:
RH=RoHS 2.0 + Halogen Free



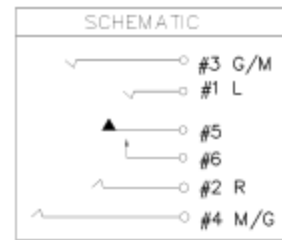
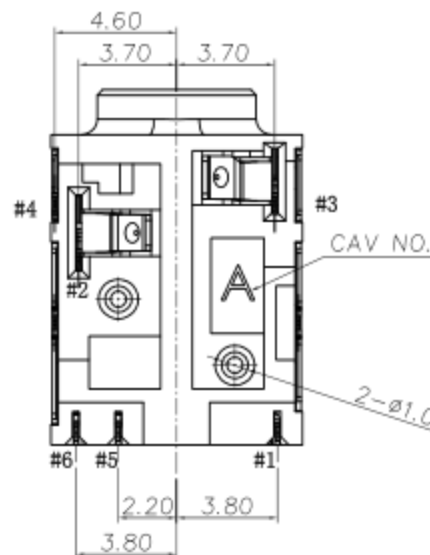
Matching Plug



RECOMMENDED P.C.B LAYOUT
 TOP VIEW (TOLRANCE: ±0.05)

SPECIFICATION:

1. Electrical characteristics
 - 1-1. Current rating:DC 1A max.
 - 1-2. Voltage rating:DC 12V.
 - 1-3. Contact resistance:50mΩ max(Initial).
After test:100mΩ max
 - 1-4. Insulation resistance:100MΩ min. at 500V DC.
 - 1-5. Withstanding voltage:500V AC for 1 minute.
2. Mechanical characteristics
 - 2-1. Life test:5000 cycles min,
 - 2-2. Mating force:3~30N,
Unmating force:3~30N.



⑨	Housing	1	PA10T R630NH UL 94V-0	Black
⑧	Insulator	1	PA10T R630NH UL 94V-0	Black
⑦	Shell		C5210R, 0.20t	Plating Ni 50u"Min.
⑥	TERMINAL 6		C5210R, 0.20t	Gold Flash on Contact Area and Solder area 50u" Nickel UnderPlated
⑤	TERMINAL 5		C5210R, 0.20t	
④	TERMINAL 4		C5210R, 0.20t	
③	TERMINAL 3		C5210R, 0.20t	Gold (See Table) on Contact Area and Solder area 50u" Nickel UnderPlated
②	TERMINAL 2		C5210R, 0.20t	
①	TERMINAL 1		C5210R, 0.20t	
NO.	DESCRIPTION	QTY	MATERIAL	REMARK

DESIGN	刘伟	2021.06.07	Angle	±2°					
CHECK			.x	±0.30					
APPROVAL			.xx	±0.20					
			.xxx	±0.10					
ECN NO.	REV	DATE	DESCRIPTION	CHANGE	APPRO.	GENERAL TOLERANCE UNLESS OTHERWISE NOTED	SCALE: 1:1	UNIT:mm	A4

东莞市高迪电子有限公司

CUSTOMER DRAWING	TITLE:	φ3.5mm PHONE JACK
	MODEL NO.	PJR-D3341A-ABK7AU0*L-RH
	FILE NO.	Q/DY. QW-001A-XXXX